

## HIRETECH HT8-1.2 EX DRUM FLOOR SANDER PARTS LIST

Ref	PSTK	Description	Pack Qty	Notes
001	962308	Screw	1	
002	980652	Washer	2	
003	162019	Clamp Handle	1	
004	163907	Handle Cross	1	
005	163691	Strain Relief (NA)	1	
005	101205	Strain Relief	1	
006	101206	Nut Lock	1	
007	163849	Dust Cover Kit	1	
008	163837	Bracket Switch Mounting	1	
009	163839	Switch 110/120V	1	
009	163848	Switch 220/240V	1	
010	163870	Gasket Switch Housing	1	
011	163840	Cover Switch	1	
012	163838	Screw	2	
014	163871	Screw	4	
015	163844	Handle Assembly Complete 110 Volt (NA)	1	
015	163737	Handle Assembly Complete 240 Volt (UK)	1	
015	163738	Handle Assembly Complete 220 Volt (AUS)	1	
015	163739	Handle Assembly Complete 110 Volt (UK)	1	
015	163741	Handle Assembly Complete 220 Volt (EEC)	1	
015	020300	Multi-Speed Conversion Kit HT8/DU8 220/240 Volt (UK)	1	
015	020305	Multi-Speed Conversion Kit HT8/DU8 110 Volt (UK)	1	
015	020310	Multi-Speed Conversion Kit HT8/DU8 220 Volt (EEC)	1	
015	020315	Multi-Speed Conversion Kit HT8/DU8 240 Volt (AUS)	1	
015	020320	Multi-Speed Conversion Kit HT8/DU8 110 Volt (NA)	1	
016	169012	Tube Handle	1	
017	980615	Washer	2	
018	101220	Strain Relief Handle Cable	1	
018	163804	Strain Relief Handle Cable (NA)	1	
019	164508	Hook Cable	1	
020	163782	Cable Handle 110 Volt (UK)	1	
020	100337	Cable Handle	1	
020	519510	Cable Handle (NA)	1	
021	960180	Clamp Handle Bracket	1	
022	960183	Bracket Handle Cross	1	
023	911045	Base Twist Lock	1	
024	911046	Body Twist Lock	1	
025	163867	Lead Earth Base Twist Lock	1	
026	163808	Grommet	1	
027	024820	Guard Drum Side EX	1	
028	165103	Label 'Lift Here & At Rear' (Metal)	1	
029	163202	Main Frame EX	1	
030	167804	Shield Wall End	1	
031	962084	Screw	4	
032	024985	Abrasive Guide Spacer (200mm wide abrasive)	1	Use with 200mm wide abrasive
032	024990	Abrasive Guide Spacer (8in wide abrasive)	1	Use with 8 inch wide abrasive
033	024995	Abrasive Guide Retainer	1	
034	962204	Screw	5	
035	024822	Guard Drum Front EX	1	Includes PSTK:121252 Label Guard
036	121252	Label Guard Drum	1	
037	024915	Clip Guard Drum	1	
039	163683	Cable Main Assembly 220 Volt (EEC)	1	
039	163685	Cable Main Assembly 110 Volt (UK)	1	
039	908285	Cable Main Assembly 240 Volt (UK)	1	

## HIRETECH HT8-1.2 EX DRUM FLOOR SANDER PARTS LIST

Ref	PSTK	Description	Pack Qty	Notes
039	519501	Cable Main Assembly 110 Volt (NA)	1	
043	010200	Washer	4	
045	920148	Nut	1	
046	024600	Buffer Rubber	1	
047	980197	Washer	1	
048	024605	Bolt	1	
049	030850	Nut	2	
050	167308	Ring Retaining	1	
051	160815	Bracket Handle Kit Complete	1	
052	980196	Washer	1	
053	962244	Bolt	5	
054	163796	Bag Dust Cloth	1	
055	163826	Retainer Dust Bag Disposable/Ring Seal	6	
056	160809	Bracket Exhaust	1	
057	163403	Gasket Exhaust	1	
058	07037	Disposable Paper Dust Bag HT8 Pack 2 (box 25)	25	
058	07039	Disposable Paper Dust Bag HT8 (box 50)	50	
059	163790	Tube Exhaust	1	
060	167708	Shaft Floor Roller	1	
061	169704	Roller Floor Assembly (with bearing)	2	
062	902567	Bearing (Fan & Floor Roller)	4	
063	467308	Ring Retaining	4	
064	020010	Support Floor Roller	1	Trim (dress) drum rubber after service or replacement, see See Owners Manual & Operating Instructions.
065	962139	Bolt	2	
066	980646	Washer	2	
067	962103	Screw	1	
072	167905	Shoe Intake EX	1	Part must only be used on HT8 EX models with expanding drum
073	163636	Cover Inlet	1	
074	167404	Rod Drum Guard	1	
075	920256	Nut	1	
077	980629	Washer	1	
078	169504	Weight Balance	1	
079	962409	Screw	1	
080	962170	Screw	1	
081	163791	Guard Belt	1	
082	163814	Screw	3	
083	163869	Screw Guard Belt	4	
084	024810	Guard Wall End EX	1	
085	980623	Washer	2	
086	962109	Screw	8	
087	167312	Ring Retaining	1	
088	164202	Housing Fan	1	
089	168203	Spacer Fan Bearing	1	
090	025120	Buffer Guard Drum EX	2	
091	008212	Spacer Fan	1	
092	163004	Fan Intake	1	
093	162021	Clamp Bearing	2	
094	167608	Seal fan	1	
095	167210	Retainer Seal	1	
096	010210	Screw	4	
097	166906	Pulley Fan	2	

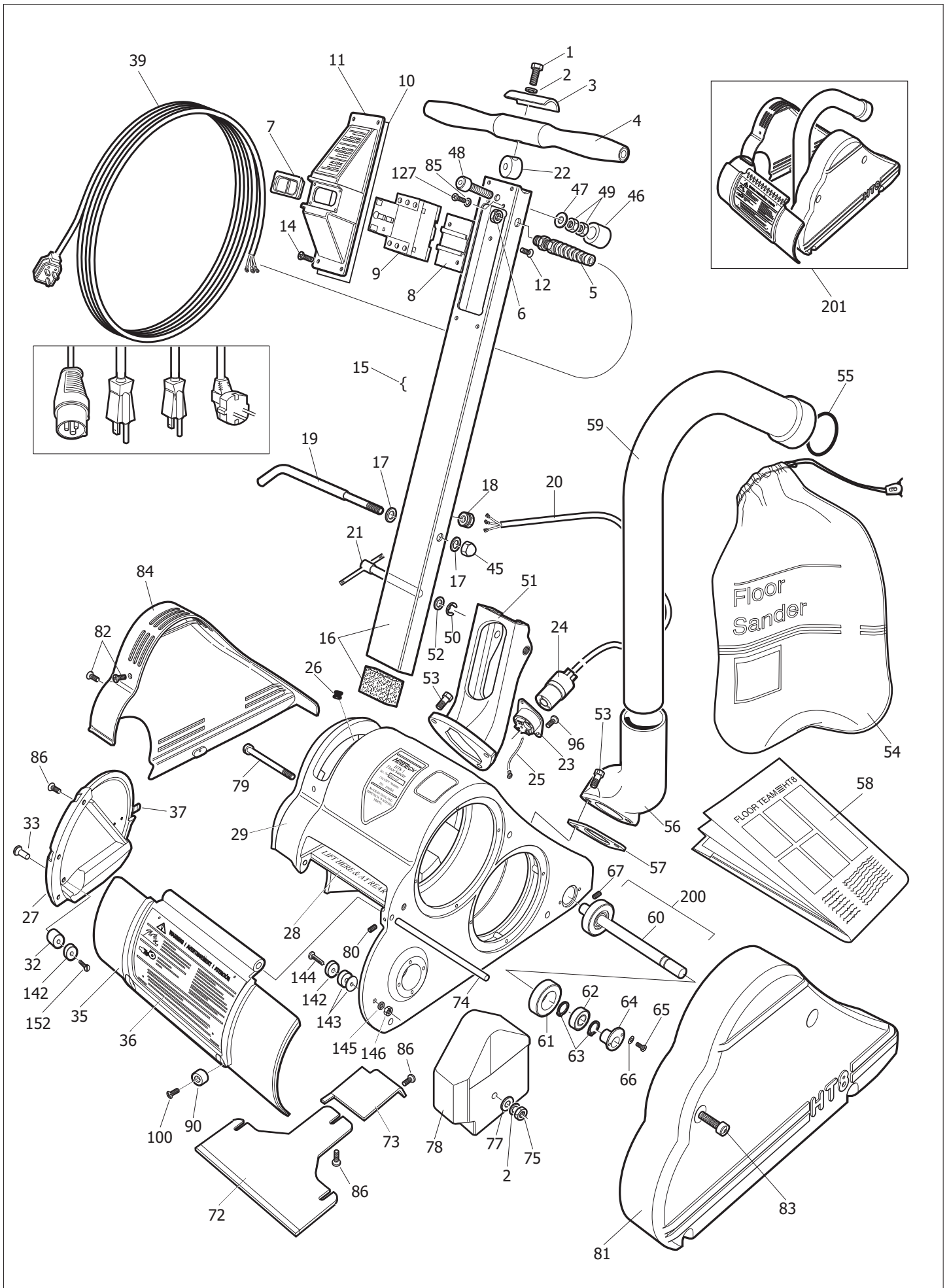
## HIRETECH HT8-1.2 EX DRUM FLOOR SANDER PARTS LIST

Ref	PSTK	Description	Pack Qty	Notes
098	915028	Key	6	
099	167704	Shaft Fan	1	
100	010220	Screw and Washer Set	4	Washer not required when fitting Ref: 55 PSTK: 010630 Retainer
101	980648	Washer	2	
102	980626	Washer Lock	3	
103	920132	Nut	3	
104	010180	Brush Motor	4	Do not allow any one motor brush to wear below a minimum length of 12mm (1/2in). Always replace motor brushes as a set of 4
109	010230	Brush Spring	4	Replace brush springs every two (2) sets of motor brushes, always replace as a set of 4.
110	911662	Lead Motor Assembly	1	
111	167302	Ring Retaining	1	
113	168104	Sleeve	1	
114	163104	Field 110/120 Volt HT8	1	
114	163112	Field 220/240 Volt HT8	1	
115	962401	Screw	2	
116	166172	Baffle Motor	1	
117	167204	Retainer Baffle	1	
118	160408	Armature 110/120 Volt	1	Kit includes 1 x PSTK:163682 Bearing 1 x PSTK:163877 Retainer 3 x PSTK:000350 Key
118	160412	Armature 220/240 Volt	1	Kit includes 1 x PSTK:163682 Bearing 1 x PSTK:163877 Retainer 3 x PSTK:000350 Key
119	980004	Spacer	2	
121	163008	Fan Motor	1	
123	167802	Shield Pulley	1	
124	024885	Bearing Drum Shaft EX	2	
125	163682	Bearing Armature	2	
126	062003	Clamp Bearing	2	Note only 1 required on motor
127	962345	Screw	10	
128	168212	Spacer Motor Pulley	1	
129	163304	Flange Pulley	3	
130	166909	Pulley Motor	1	
131	024870	Clamp Bearing	1	
140	163789	Brush Block Assembly	1	
142	024840	Guide Abrasive Kit	2	Kit Includes: 2 x 024850 Abrasive Guide, 1 x 024855 Screw Abrasive Guide Main Frame, 1 x 024865 Screw Abrasive Guide Drum Guard
142	024850	Guide Abrasive	1	
143	024845	Abrasive Guide Spacer (8in & 200mm wide abrasives)	5	Use thick spacer (7mm) only for 8in wide abrasives. Use thick spacer (7mm) and thin spacer (1.5mm) for 200mm wide abrasives. Gap between edge of drum and abrasive guide as follows. 200mm wide abrasive gap 1.2 to 2.5mm. 8in wide abrasive 3/32in to 5/32in
144	024855	Screw Guide Abrasive Main Frame	1	
145	031660	Washer Lock	1	

## HIRETECH HT8-1.2 EX DRUM FLOOR SANDER PARTS LIST

Ref	PSTK	Description	Pack Qty	Notes
146	024860	Nut Lock	1	
149	024875	Shaft Drum EX	1	
152	024865	Screw Guide Abrasive Drum Guard	1	
159	024880	Pulley Drum EX	1	
164	903260	Belt Drum 3/4" (19mm) Wide	1	
165	903273	Belt Fan 1/2" (13mm) Wide	1	
167	024890	Spacer Bearing	1	
168	020205	Drum Assembly Complete EX Exchange (conditions apply)	1	
168	020200	Drum EX	1	
169	024895	Washer Drum Shaft EX	1	
170	163012	Assembly Fan Intake	1	
173	011170	Washer Lock	2	
174	024900	Bolt Drum Shaft EX	1	
176	925113	Pin Drum Shaft	1	
179	024965	Owners Manual & Operating Instructions EX	1	Download from <a href="http://www.hiretech.biz/downloads/owners-manuals">http://www.hiretech.biz/downloads/owners-manuals</a>
200	101219	Floor Roller Assembly	1	
201	024950	Kit Moulded Guards EX	1	
201	024955	Kit Moulded Guards EX (excluding Tube Exhaust)	1	
250	024500	Test Lead	1	IMPORTANT: Read instructions before using test lead.
250	024502	Test Lead (NA)	1	IMPORTANT: Read instructions before using test lead.
250	011860	Service Tool - Extractor Seal	2	
250	163864	Service Tool - Locating Tool HT8 Field	1	
250	163865	Service Tool - Locking Drum	1	

# HIRETECH HT8-1.2 EX DRUM FLOOR SANDER PARTS DRAWING



# HIRETECH HT8-1.2 EX DRUM FLOOR SANDER PARTS DRAWING

